



GATORBACK

MUDFLAPS

2023-C Colorado ZR2 & Trail Boss

Mud Flap Set, Front

Mounting Diagram & Instructions

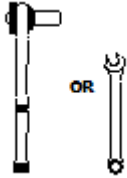
Kit# GCR215F

IMPORTANT:

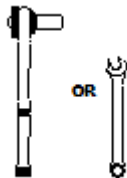
Manufacturer is not responsible for negligent use of vehicle with mud flaps installed, including over-tightening of screws and bolts causing damage to vehicle or mud flaps.



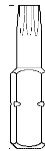
TOOLS REQUIRED-



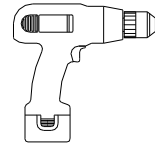
7/16" Open Wrench or
Socket Wrench



1/4" Open Wrench or
Socket Wrench



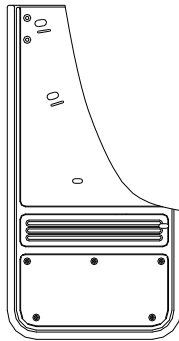
T15
Bit



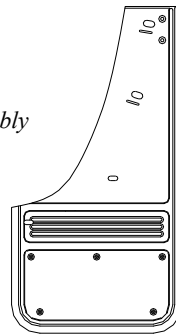
Electric or Rechargeable
Drill

FLAPS

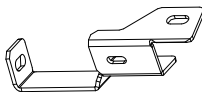
(1) Flap Assembly,
Front, DS



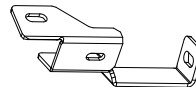
(1) Flap Assembly
Front, PS



(1) Bracket
Front, DS
Part #771156

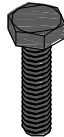


(1) Bracket
Front, PS
Part #771157



PARTS BAG # 771158

a) (6) Capscrew, SS
1/4"-20 x 1" Black Oxidized
Part #014073



b) (2) Sht. Metal Screw, SS
8-18 x 1.25" Black Oxidized
Part #016061



c) (2) Washer, Flat, SS
0.281" x 1" Black Oxidized
Part #018069



d) (2) Washer, Offset, SS
0.203" x 1.5", Black Oxid.
Part # 018080



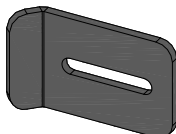
e) (2) Spring Nut, SS
1/4"-20 UNC x 27/32" Reach
Part #028011



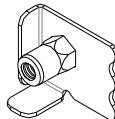
f) (4) Washer, Nylon
0.265" x 0.625", Black
Part # 054071



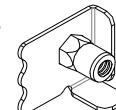
g) (4) J-Clamp, Alum.
1.5" x 2.5" Anodized
Part #767417



h) (2) Mount Clip, SS
Driver Side
Part #769312

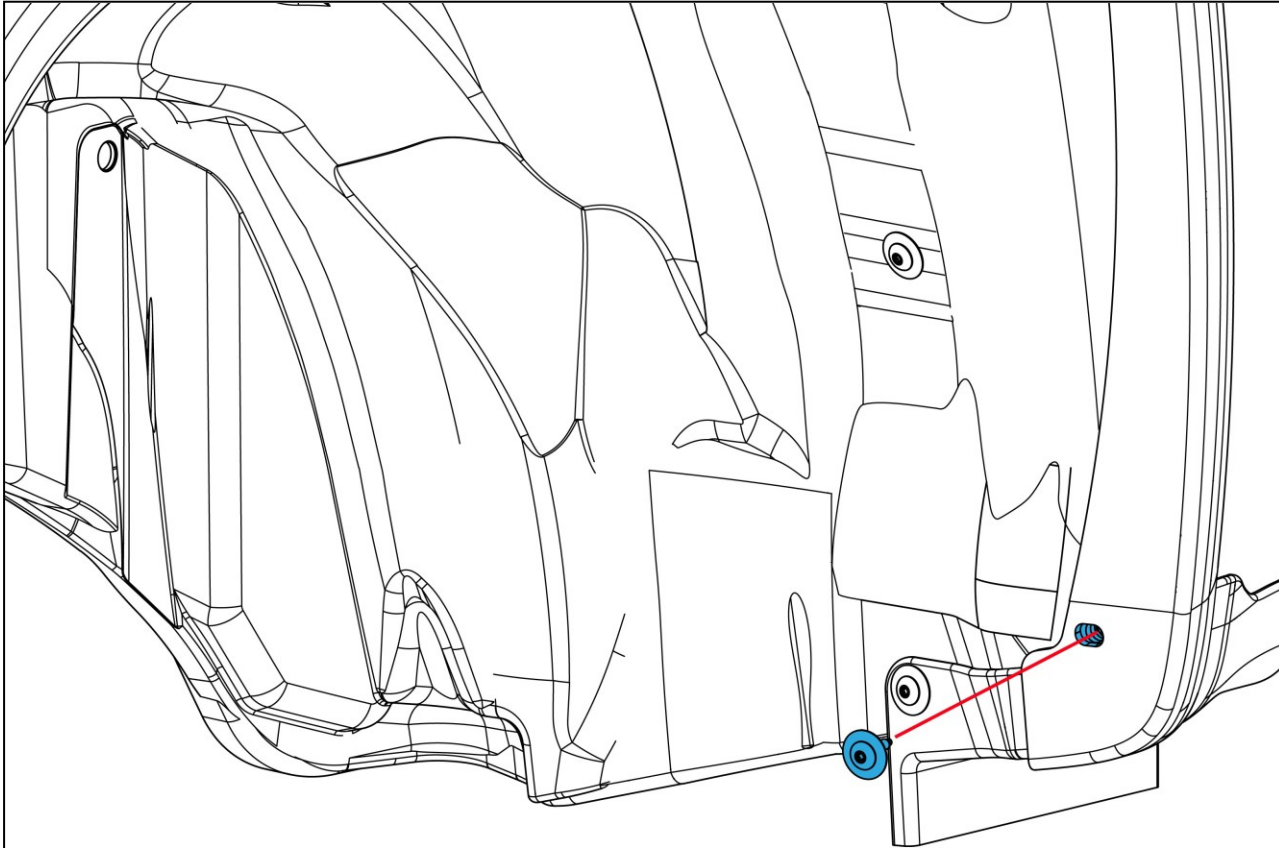


i) (2) Mount Clip, SS
Passenger Side
Part #769313

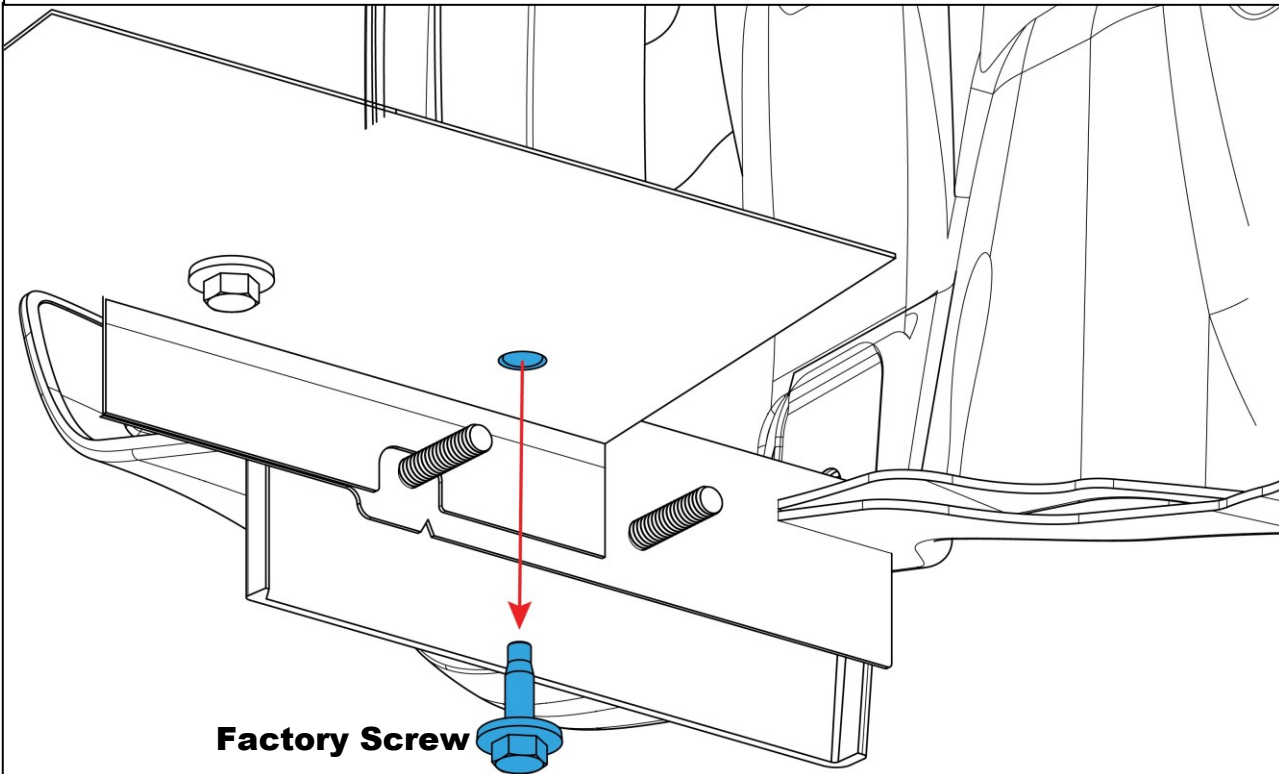


INSTALLATION *(For ease of installation it is suggested that the wheel be removed)*

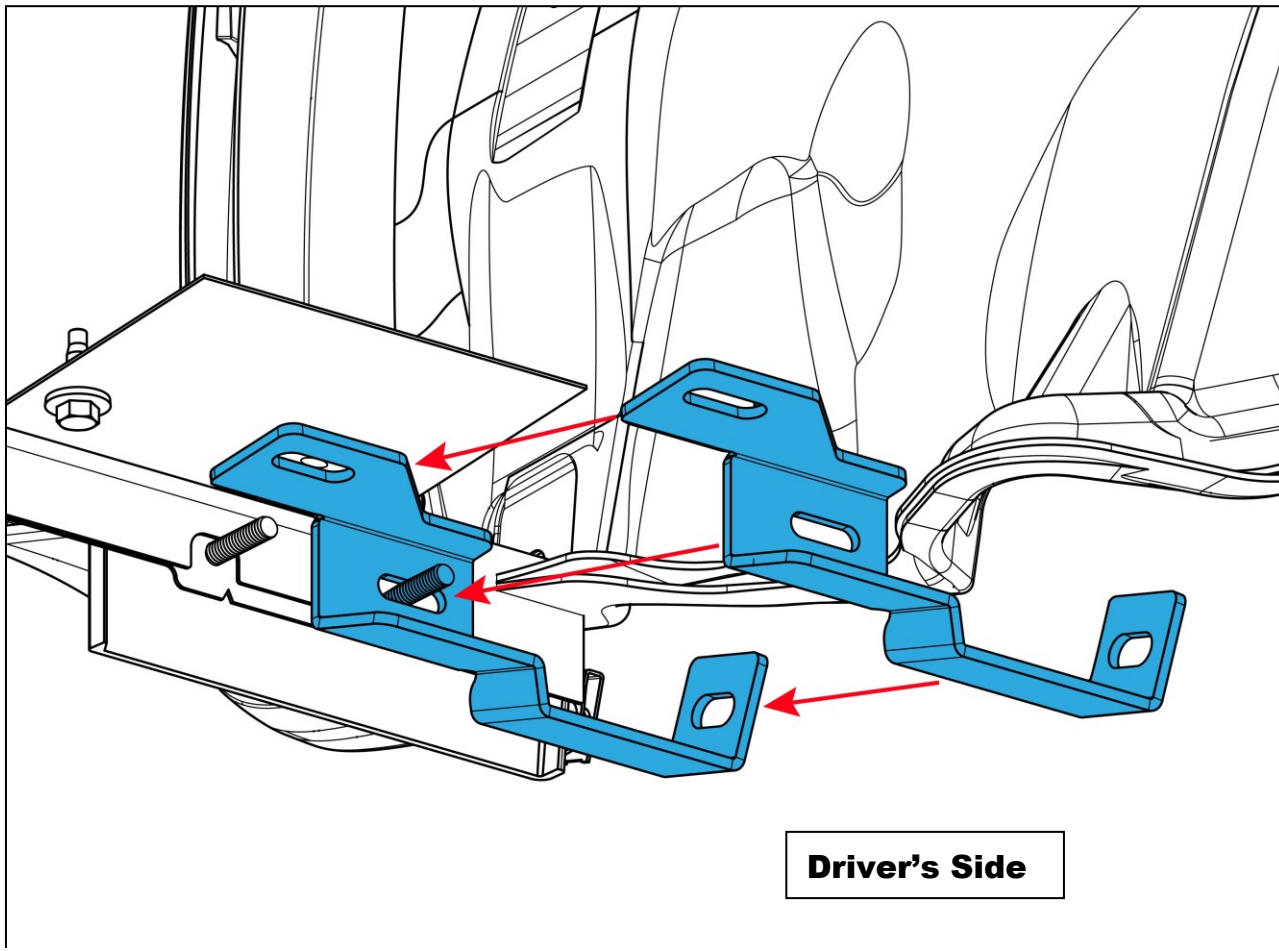
Before you install your Mud Flap Set, see the parts list for all necessary parts. Start on the driver's side.



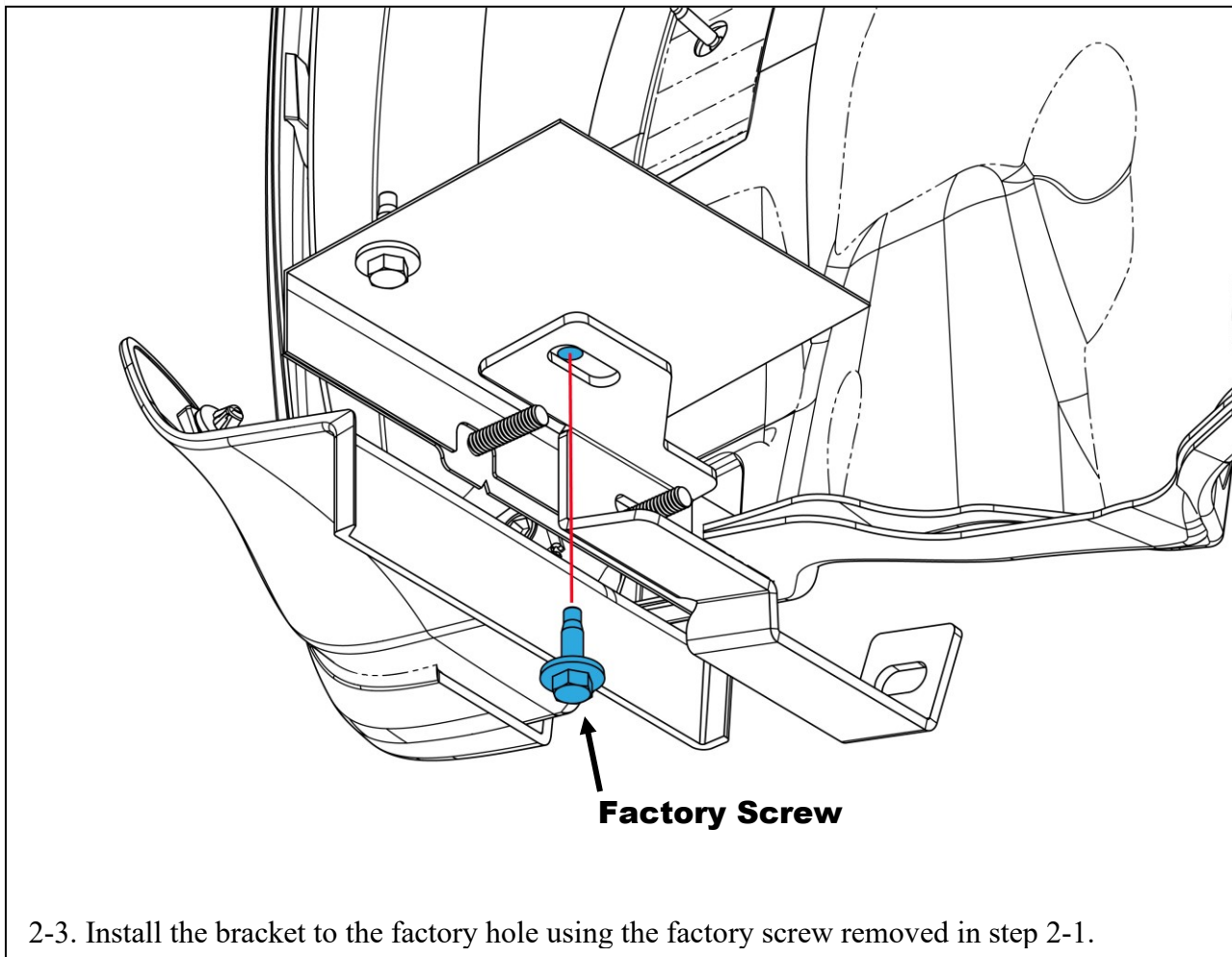
1-1. Remove 1 factory screw from the wheel well as shown.



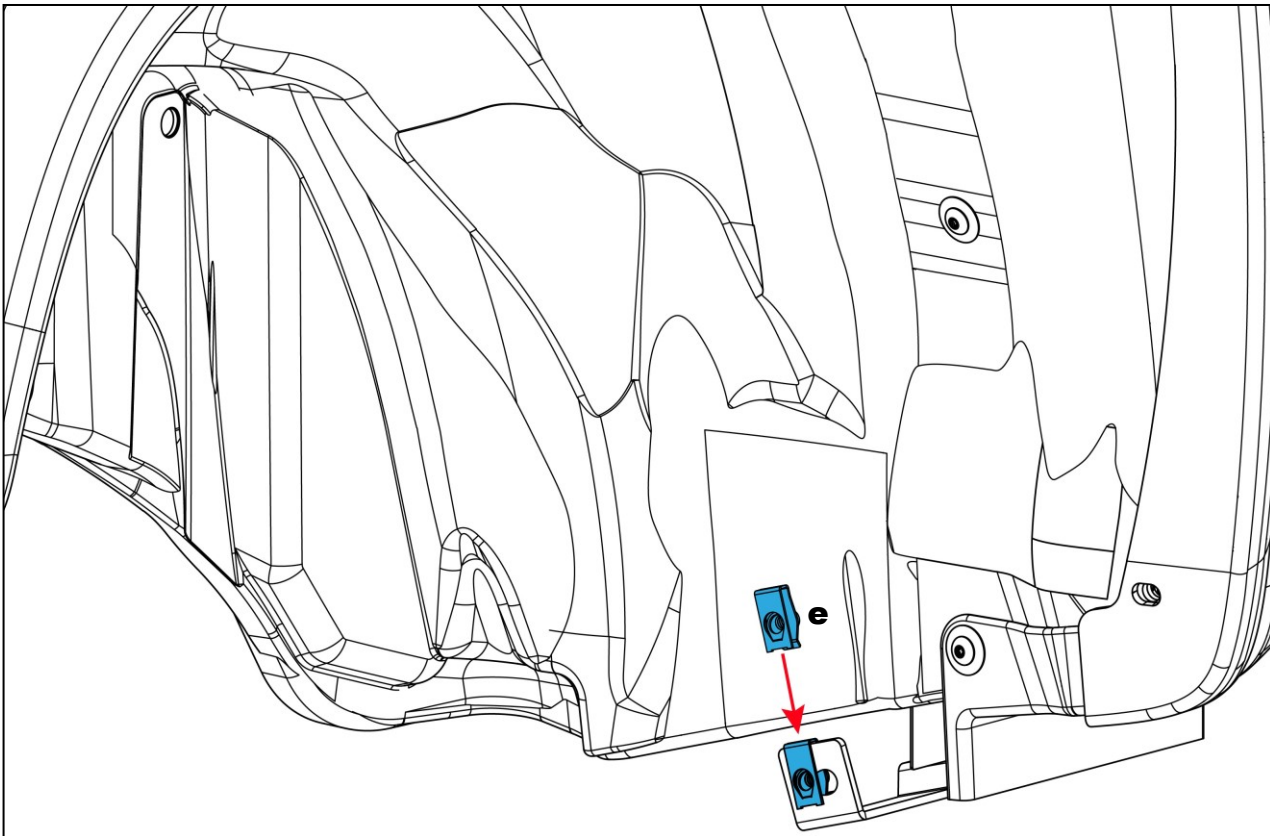
2-1. Remove 1 factory screw from the underside of the body as shown.



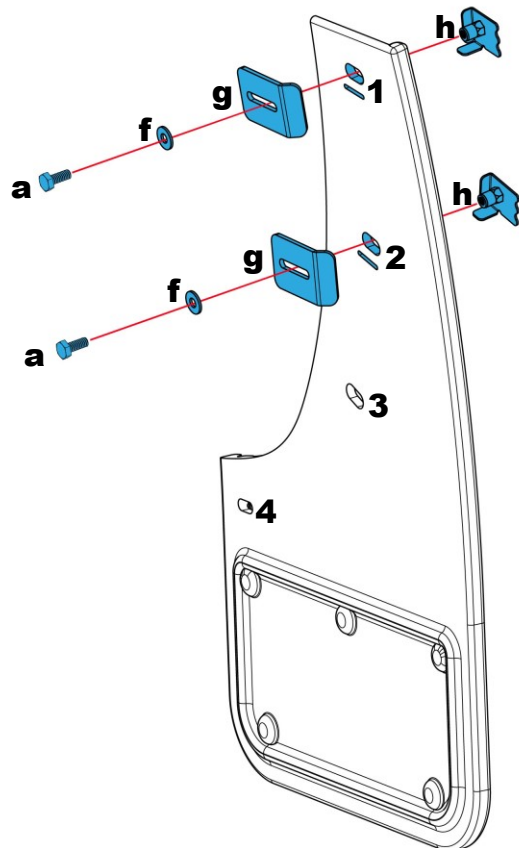
2-2. Install the bracket as shown.



2-3. Install the bracket to the factory hole using the factory screw removed in step 2-1.

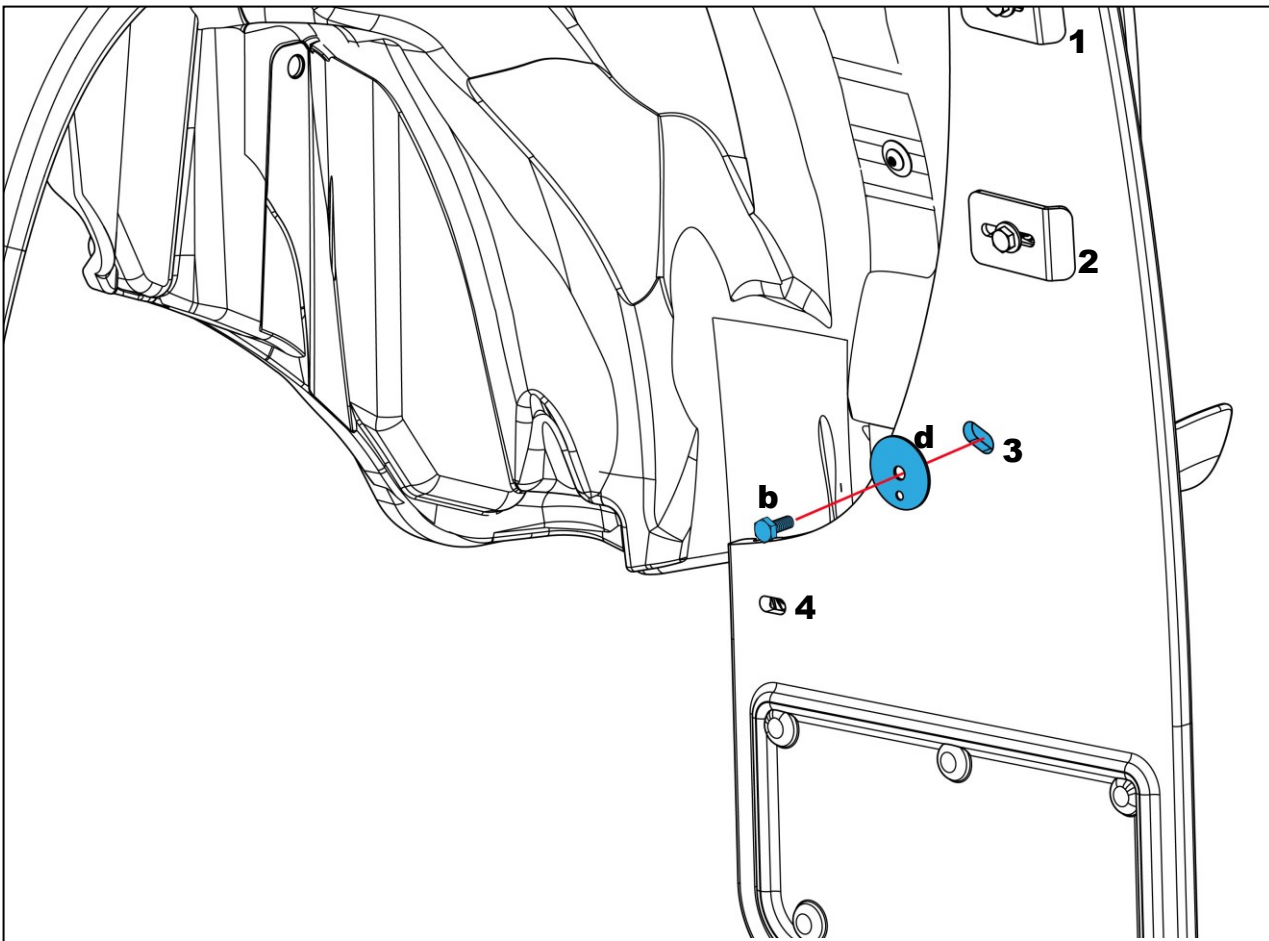


3-1. Install spring nut (e) on the bracket as shown.

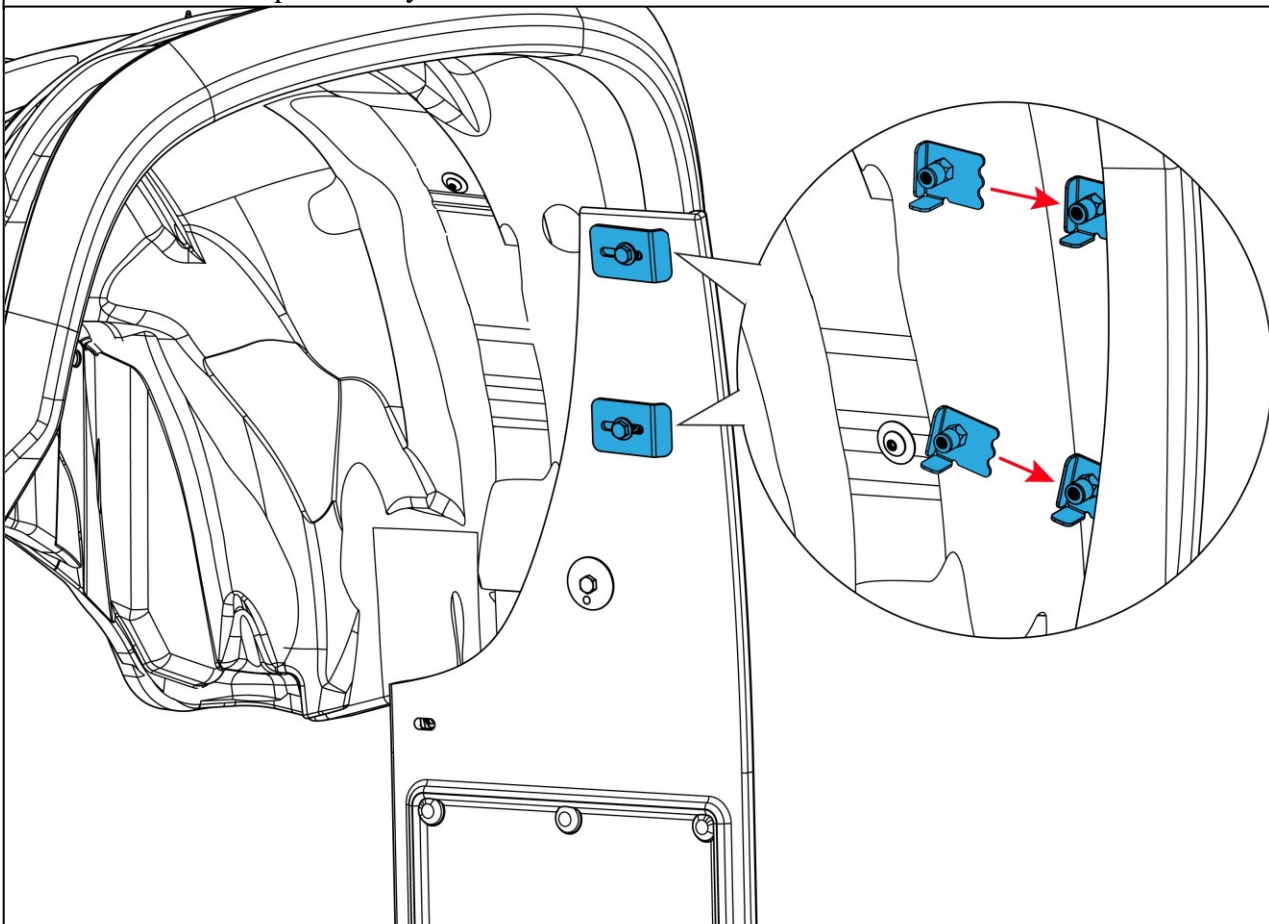


Driver's Side

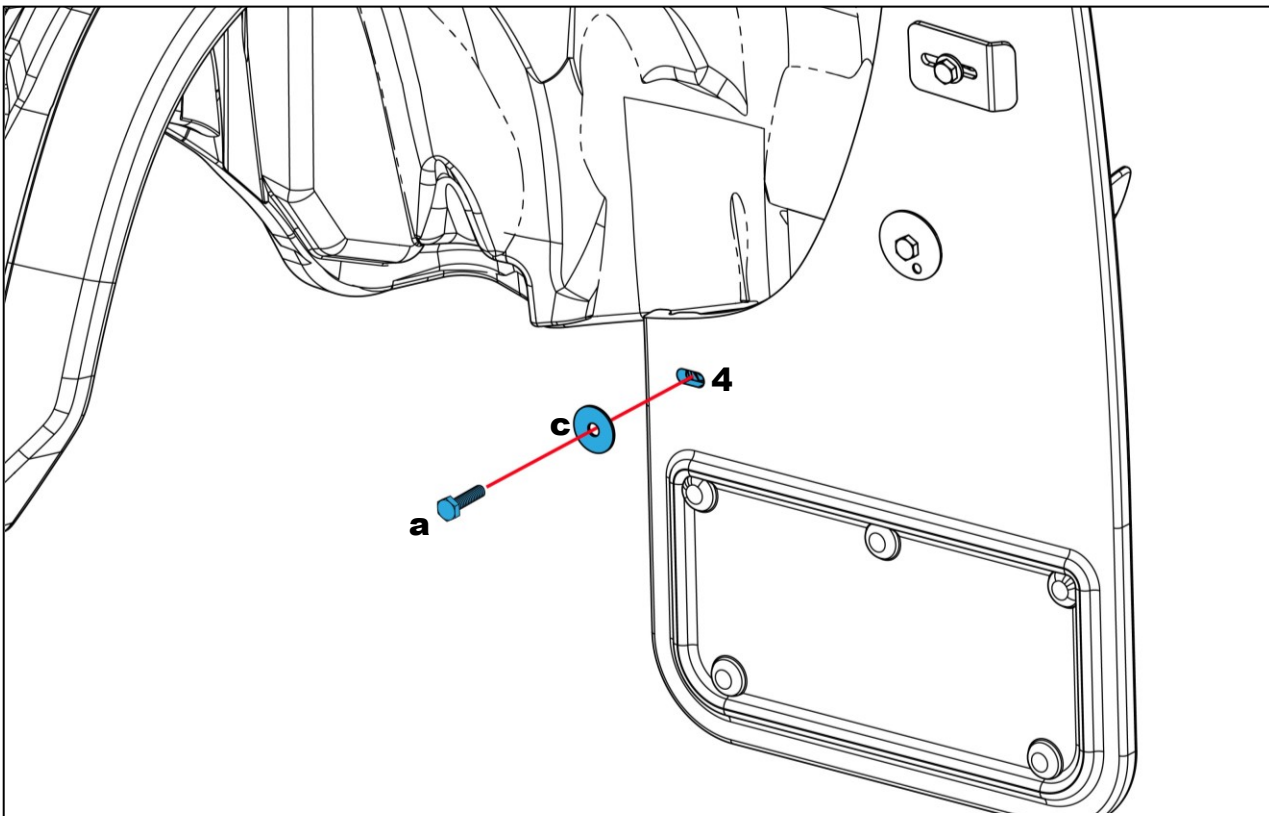
4-1. Install mount clips on mud flap as shown.



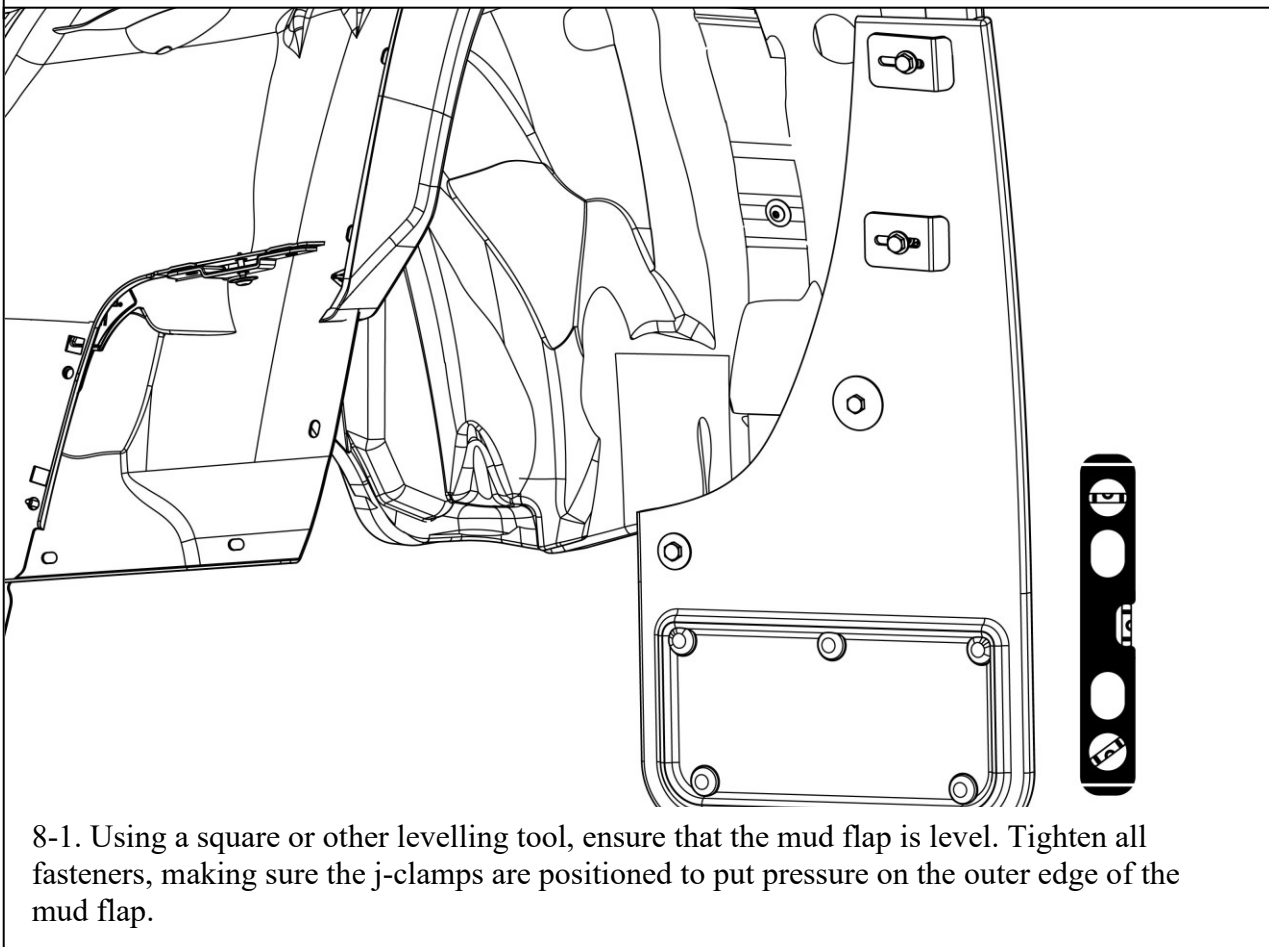
5-1. Install mud flap to factory hole as shown.



6-1. Slide mount clips behind wheel well as shown.



7-1. Install mud flap hole #4 to the spring nut installed on bracket in step 3-1 as shown.



8-1. Using a square or other levelling tool, ensure that the mud flap is level. Tighten all fasteners, making sure the j-clamps are positioned to put pressure on the outer edge of the mud flap.

Repeat the procedure on the passenger side.

Please check out our YouTube channel to see an install video for this application.





2023-C Colorado ZR2 & Trail Boss

Mud Flap Set, Rear

Mounting Diagram & Instructions

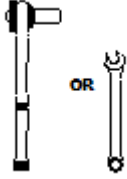
Kit# GCR215R

IMPORTANT:

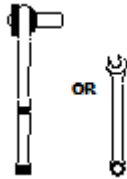
Manufacturer is not responsible for negligent use of vehicle with mud flaps installed, including over-tightening of screws and bolts causing damage to vehicle or mud flaps.



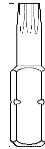
TOOLS REQUIRED-



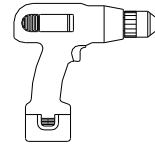
7/16" Open Wrench or
Socket Wrench



1/4" Open Wrench or
Socket Wrench



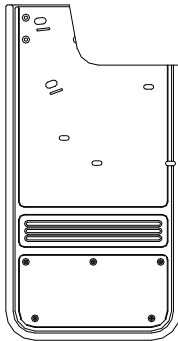
T15
Bit



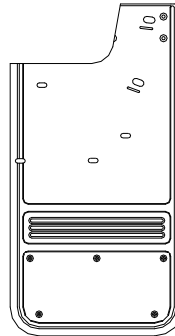
Electric or Rechargeable
Drill

FLAPS

(1) Flap Assembly,
Rear, DS

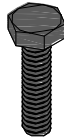


(1) Flap Assembly
Rear, PS



PARTS BAG # 771159

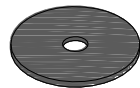
a) (4) Capscrew, SS
1/4"-20 x 1" Black Oxidized
Part #014073



b) (8) Sht. Metal Screw, SS
8-18 x 1.25" Black Oxidized
Part #016061



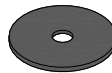
c) (8) Washer, Flat, SS
0.203" x 1" Black Oxidized
Part #018070



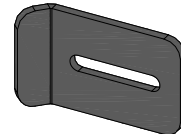
d) (4) Washer, Nylon
0.265" x 0.625", Black
Part # 054071



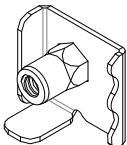
e) (2) Washer, Nylon
0.203" x 0.885", Black
Part #054080



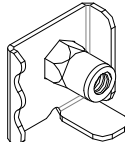
f) (6) J-Clamp, Alum.
1.5" x 2.5" Anodized
Part #767417



g) (2) Mount Clip, SS
Driver Side
Part #769308

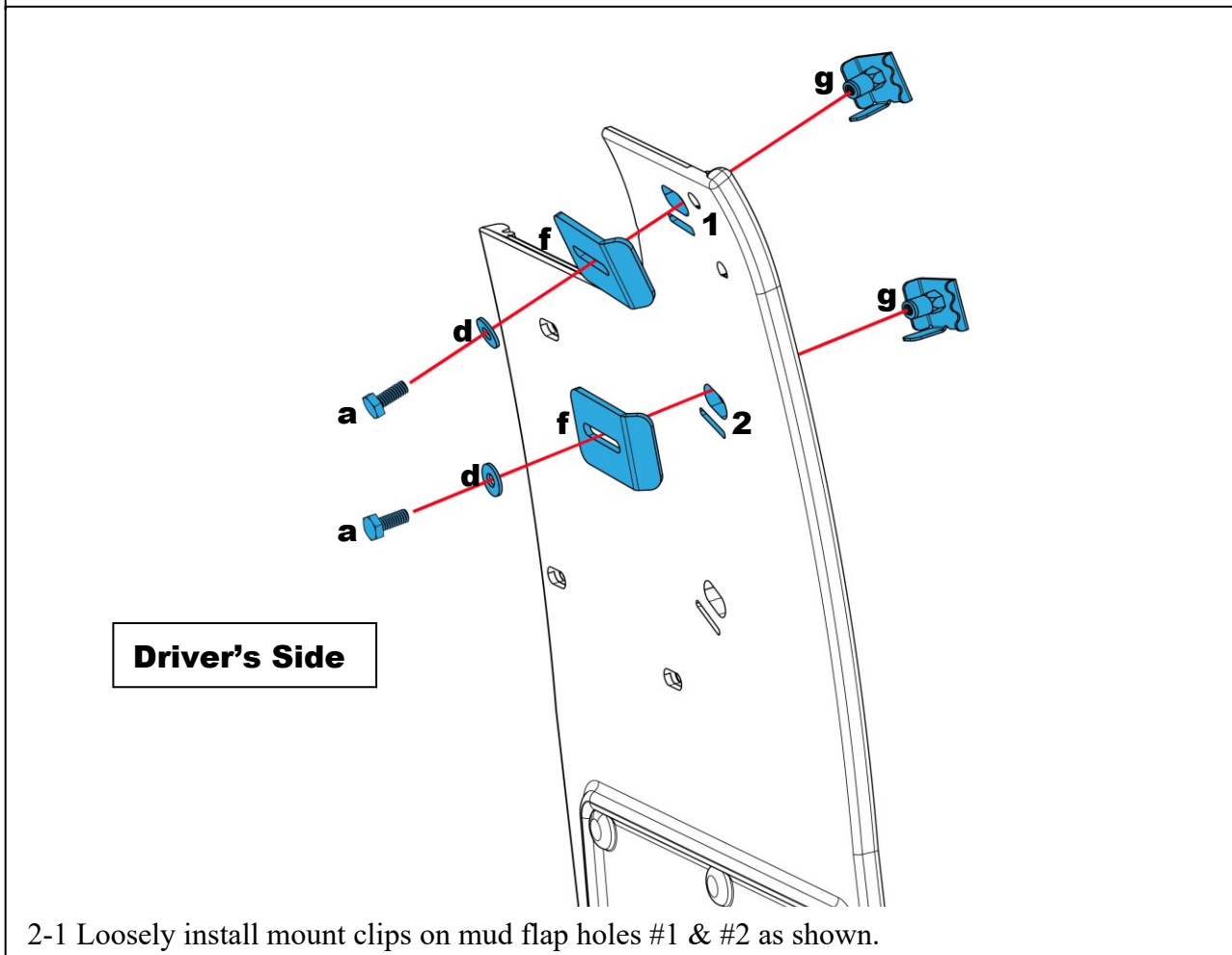
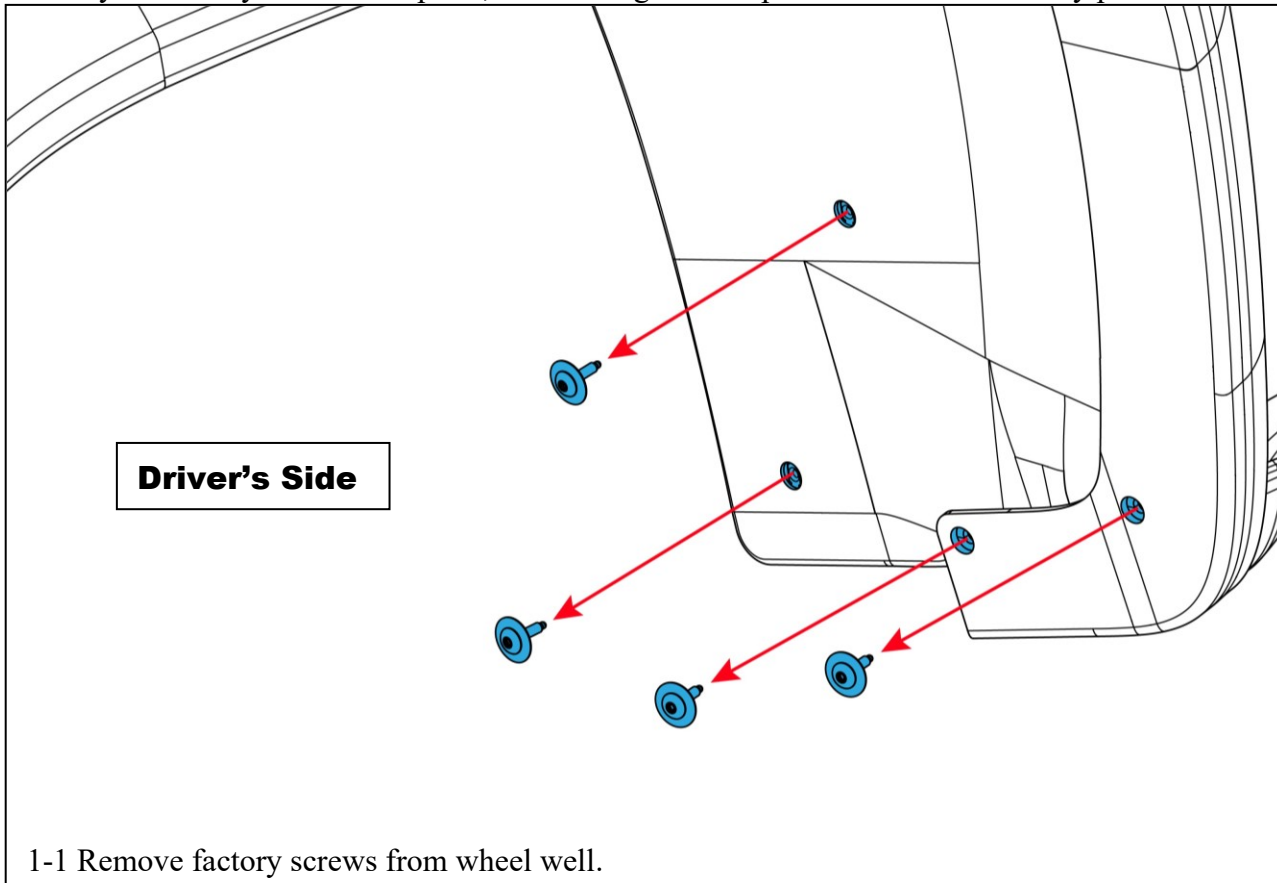


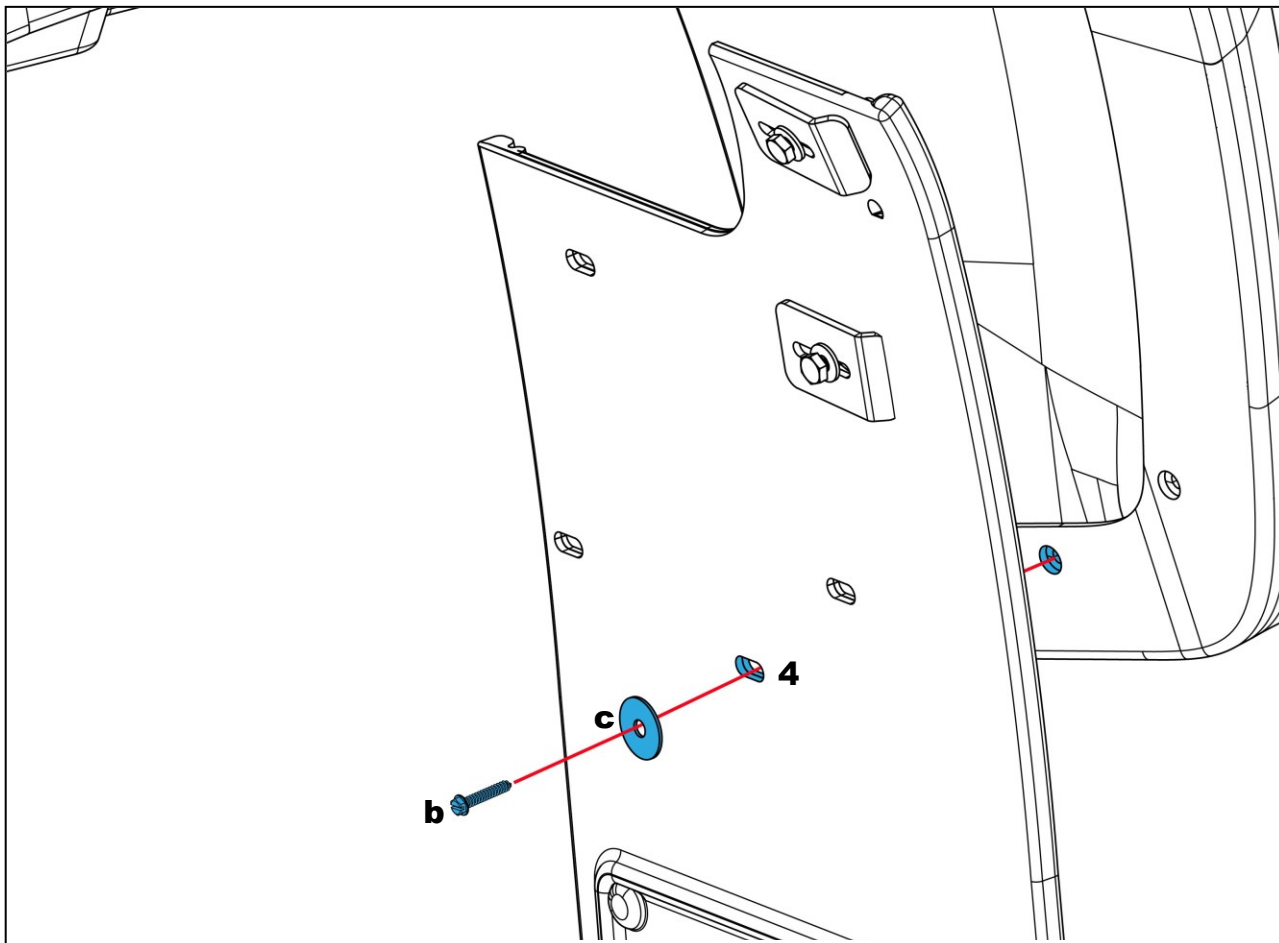
h) (2) Mount Clip, SS
Passenger Side
Part #769309



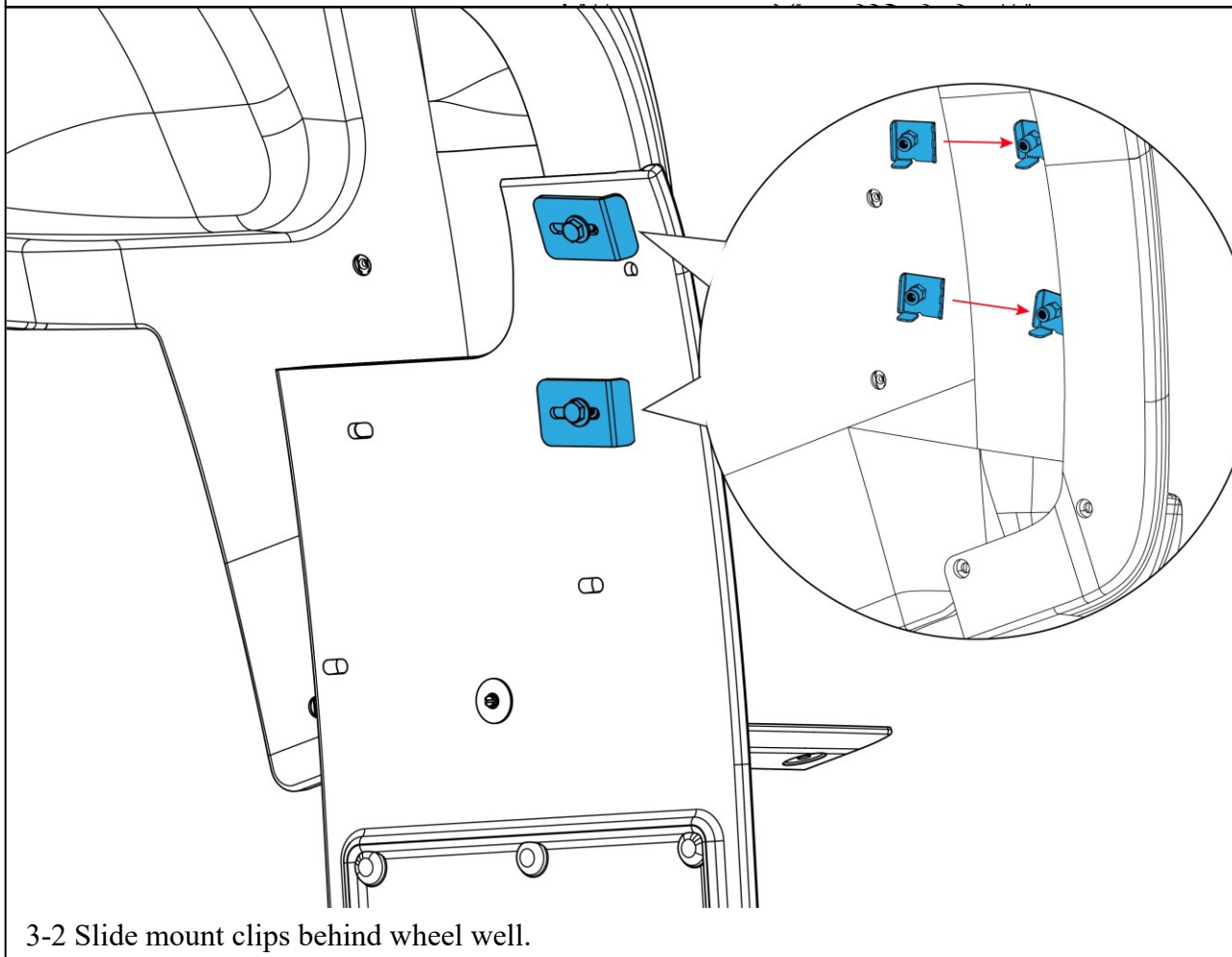
INSTALLATION *(For ease of installation it is suggested that the wheel be removed)*

Before you install your Mud Flap Set, see the diagram and parts list for all necessary parts. Start on the driver's side.

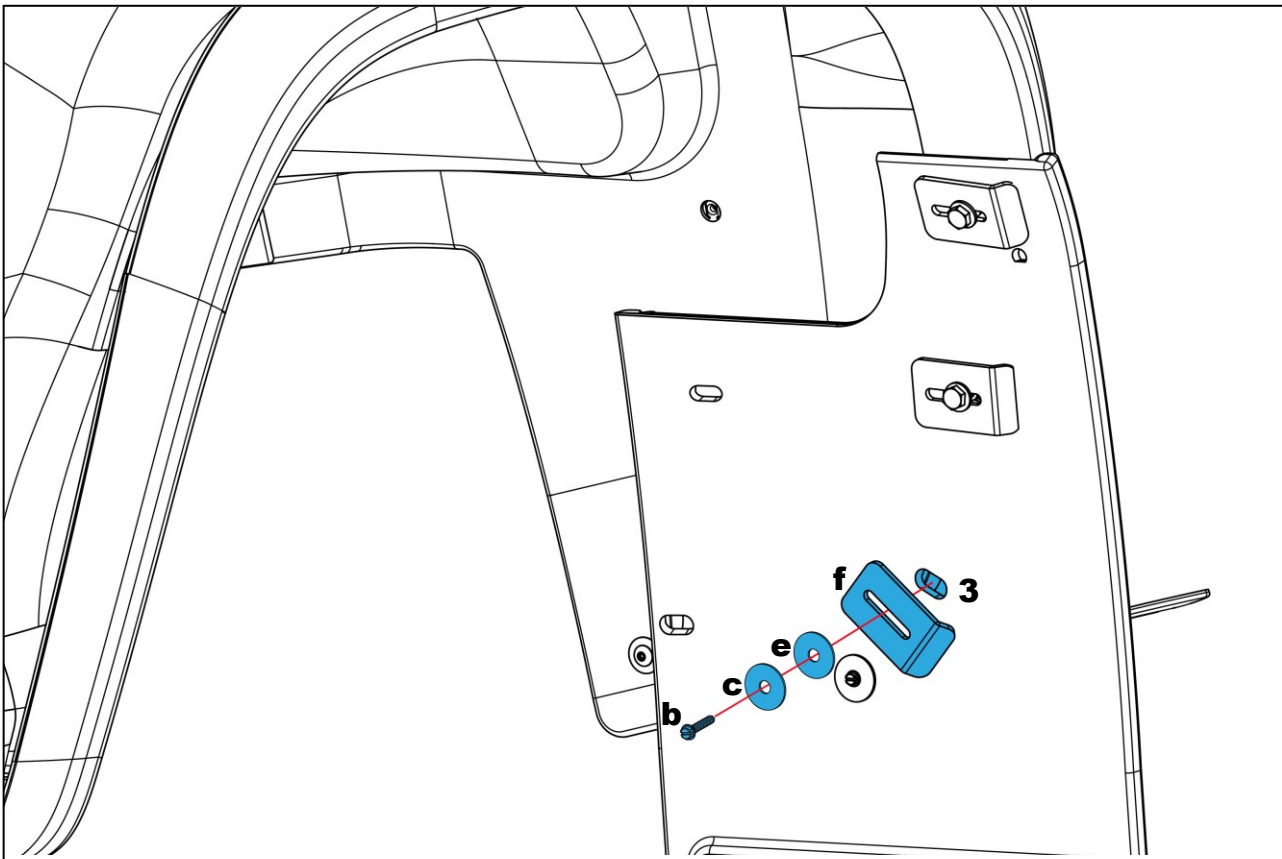




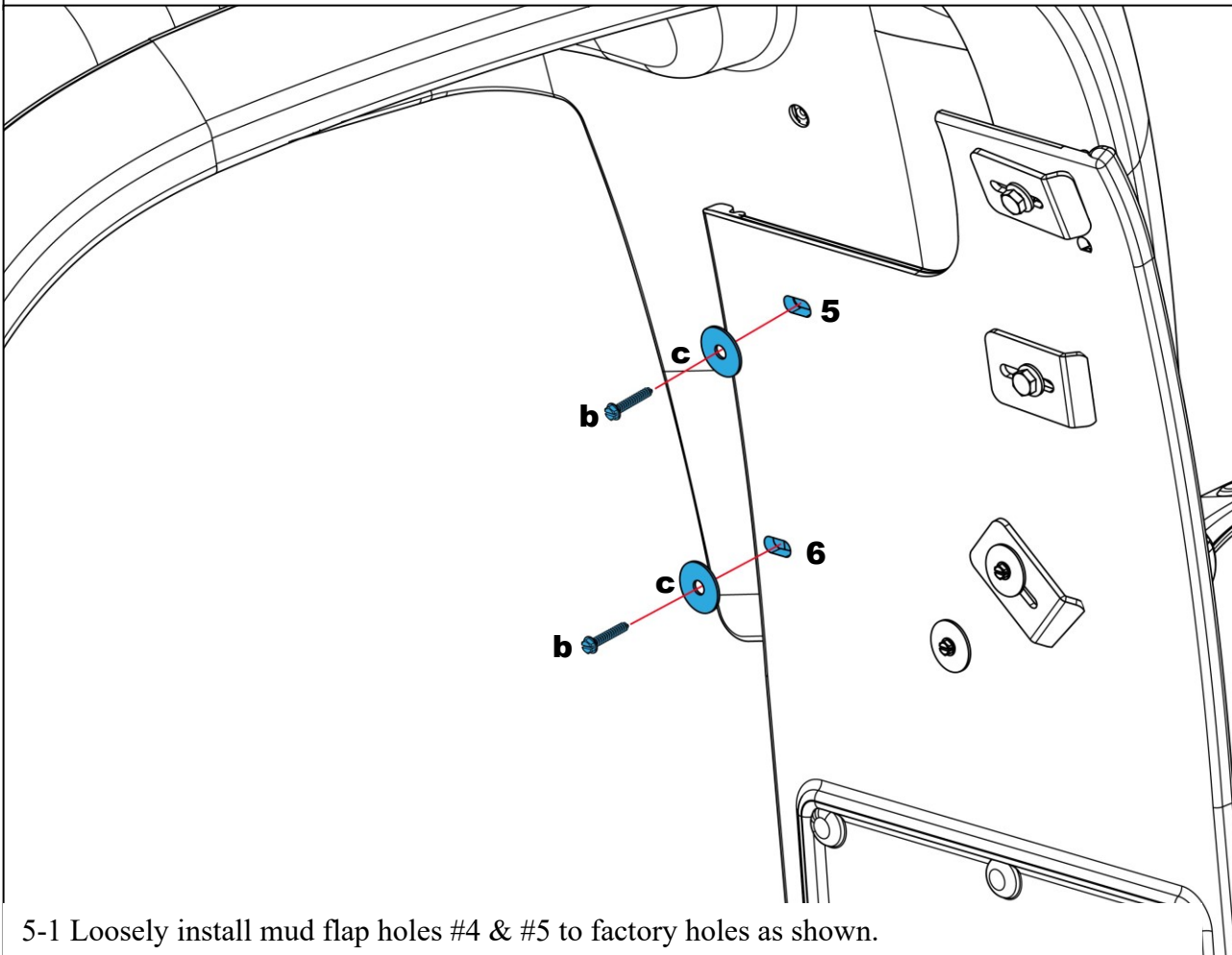
3-1 Install mud flap hole #4 to factory hole as shown.



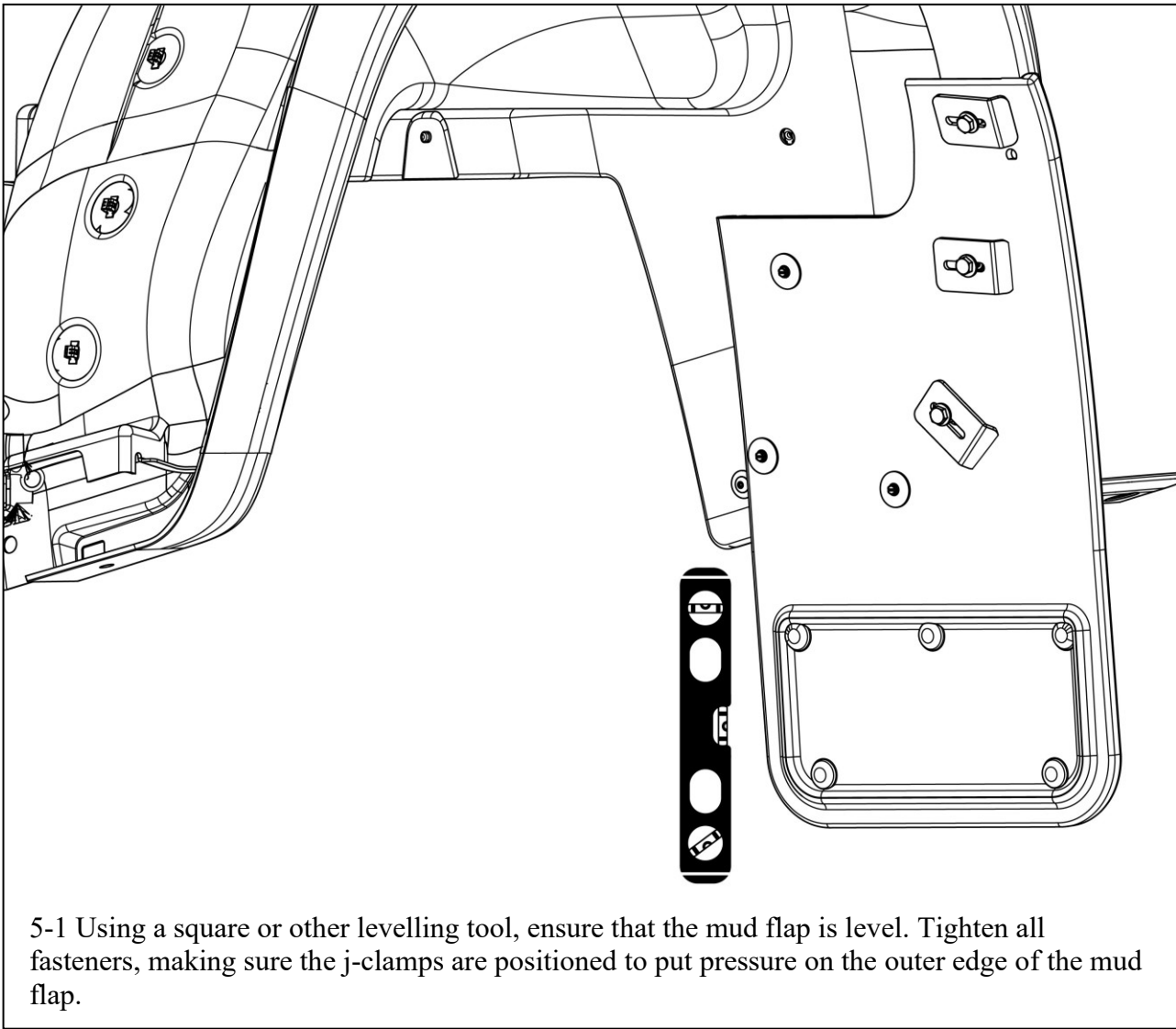
3-2 Slide mount clips behind wheel well.



4-1 Loosely install mud flap hole #3 to factory hole as shown.
Please note: The clamps are used to put pressure on the mud flap to hold it tight against wheel well. Adjust accordingly.



5-1 Loosely install mud flap holes #4 & #5 to factory holes as shown.



5-1 Using a square or other levelling tool, ensure that the mud flap is level. Tighten all fasteners, making sure the j-clamps are positioned to put pressure on the outer edge of the mud flap.

Repeat the procedure on the passenger side.