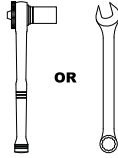


IMPORTANT:

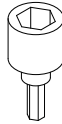
Manufacturer is not responsible for negligent use of vehicle with mudflaps installed, including over-tightening of screws and bolts causing damage to vehicle or mudflaps.

TOOLS REQUIRED:

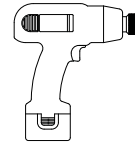


1/4" Open Wrench or
Socket Wrench

OR



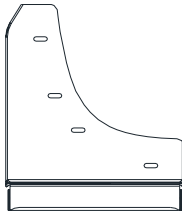
8mm Socket Driver



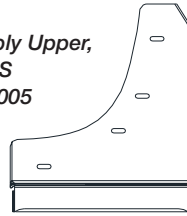
Electric or
Rechargeable Drill

FLAPS:

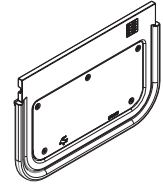
(1) Flap Assembly,
Upper Rear, DS
Part#771004



(1) Flap Assembly Upper,
Rear, PS
Part#771005



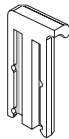
(2) Rubber Flap
Universal
12" x 8 3/4"



Please note: There will be a plastic piece in the upper mount channel. Please remove and discard.

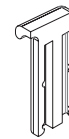
(2) Nylon Cap
Driver Side
Part #080642

(Assembled on Upper Mount)



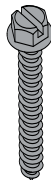
(2) Nylon Cap
Passenger Side
Part #080643

(Assembled on Upper Mount)



PARTS BAG: #771010

(a) (8) Sheet Metal Screw
8-18x1.25" SS, Blk Ox.
Part #016061



(b) (8) Washer, Offset
0.203" x 1.5", 18g, SS, Blk Ox.
Part #018080

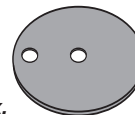
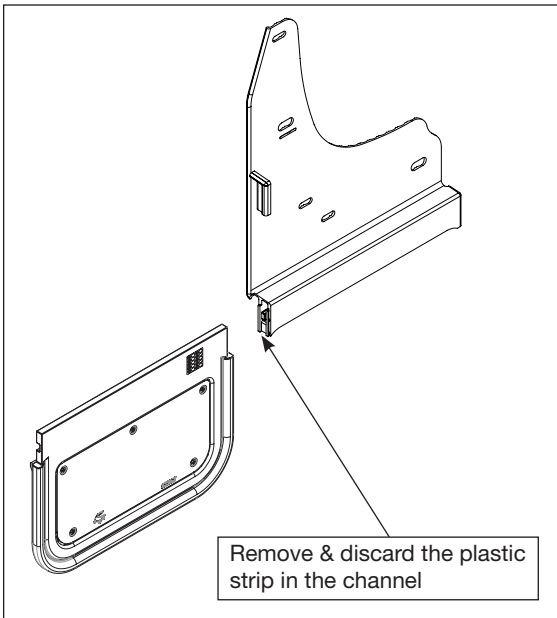


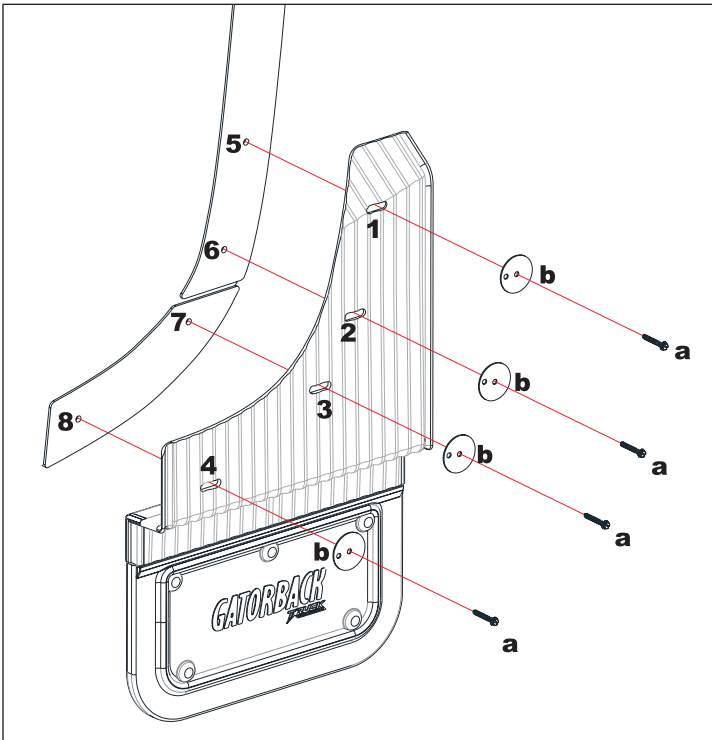
Diagram 1



ASSEMBLY OF NYLON MUDFLAPS:

1. Remove locking caps from nylon upper mounts and set aside for reinstallation.
2. Remove and discard the plastic strip inside the track at the bottom of the nylon upper mount. (See Diagram #1)
3. Slide rubber guide into track of nylon upper mount.
4. Reinstall locking cap(s) on bottom of nylon upper mount. Note: To fully lock this cap into place, you should hear two clicks. When the cap is fully locked, it will be even with the offset part of the upper mount. (See Diagram #1)
5. Repeat Procedure for second mud flap.

Diagram 2



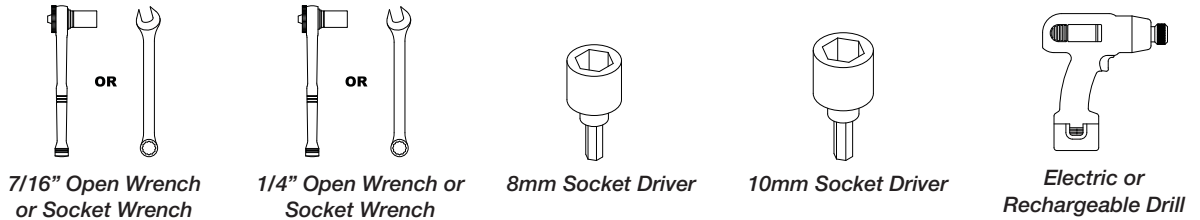
MUDFLAP INSTALLATION:

1. Before you install your mudflap set, see the diagram and parts list for all necessary parts. Start on the driver's side.
2. Remove the four factory screws from wheel well holes #5 to #8 and discard
3. Loosely install mudflap holes #1 to #4 to factory holes #5 to #8 using sheet metal (a) and offset washer (b).
4. Using a bubble level or other levelling tool, ensure that the mudflap is level. Tighten all fasteners.
5. Repeat procedure for passenger side.

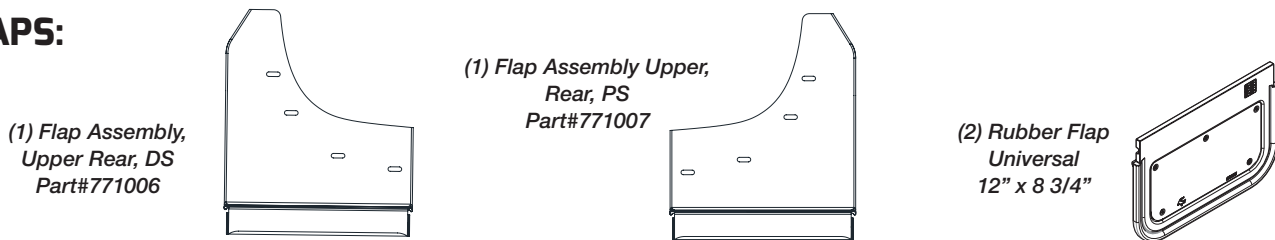
IMPORTANT:

Manufacturer is not responsible for negligent use of vehicle with mudflaps installed, including over-tightening of screws and bolts causing damage to vehicle or mudflaps.

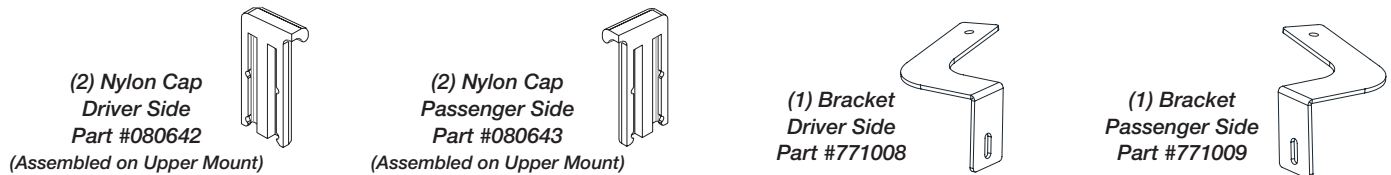
TOOLS REQUIRED:



FLAPS:



Please note: There will be a plastic piece in the upper mount channel. Please remove and discard.



PARTS BAG: #771011

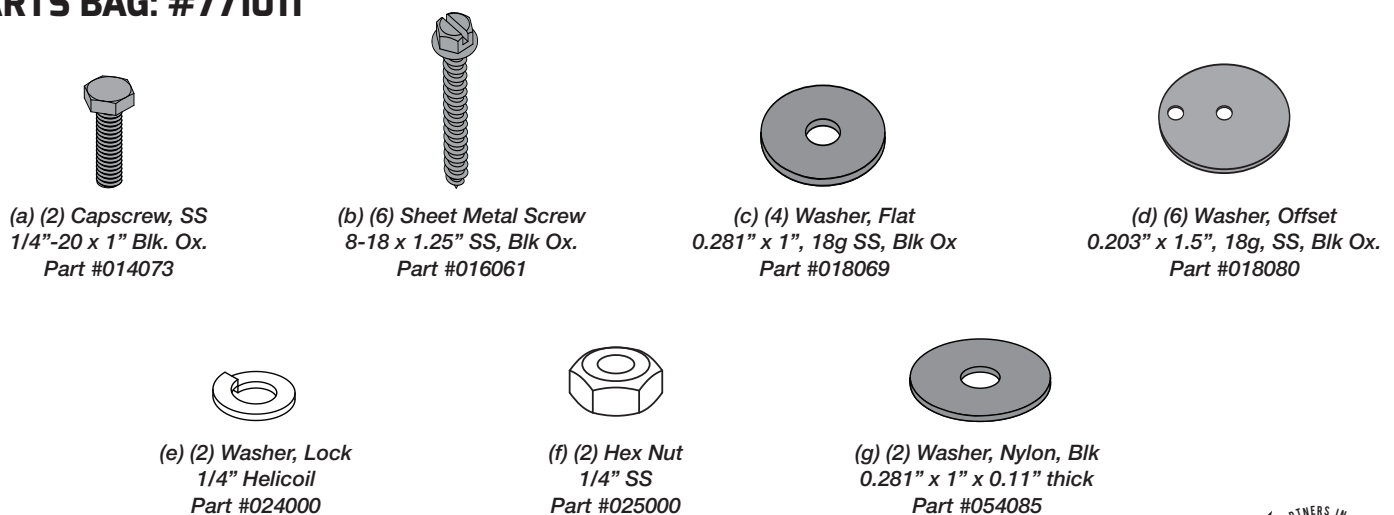
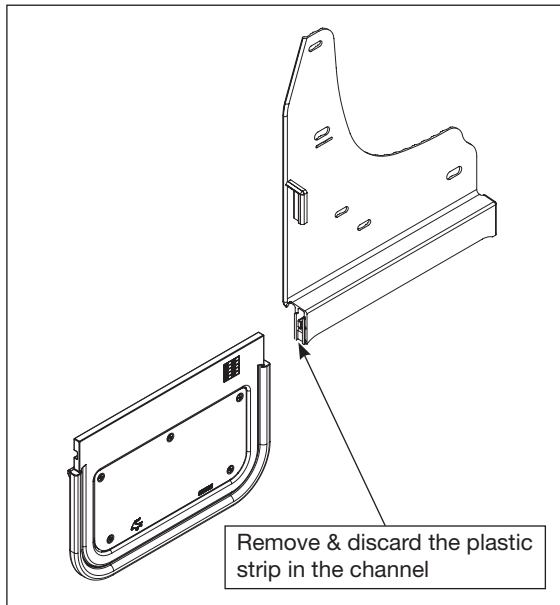


Diagram 1



ASSEMBLY OF NYLON MUDFLAPS:

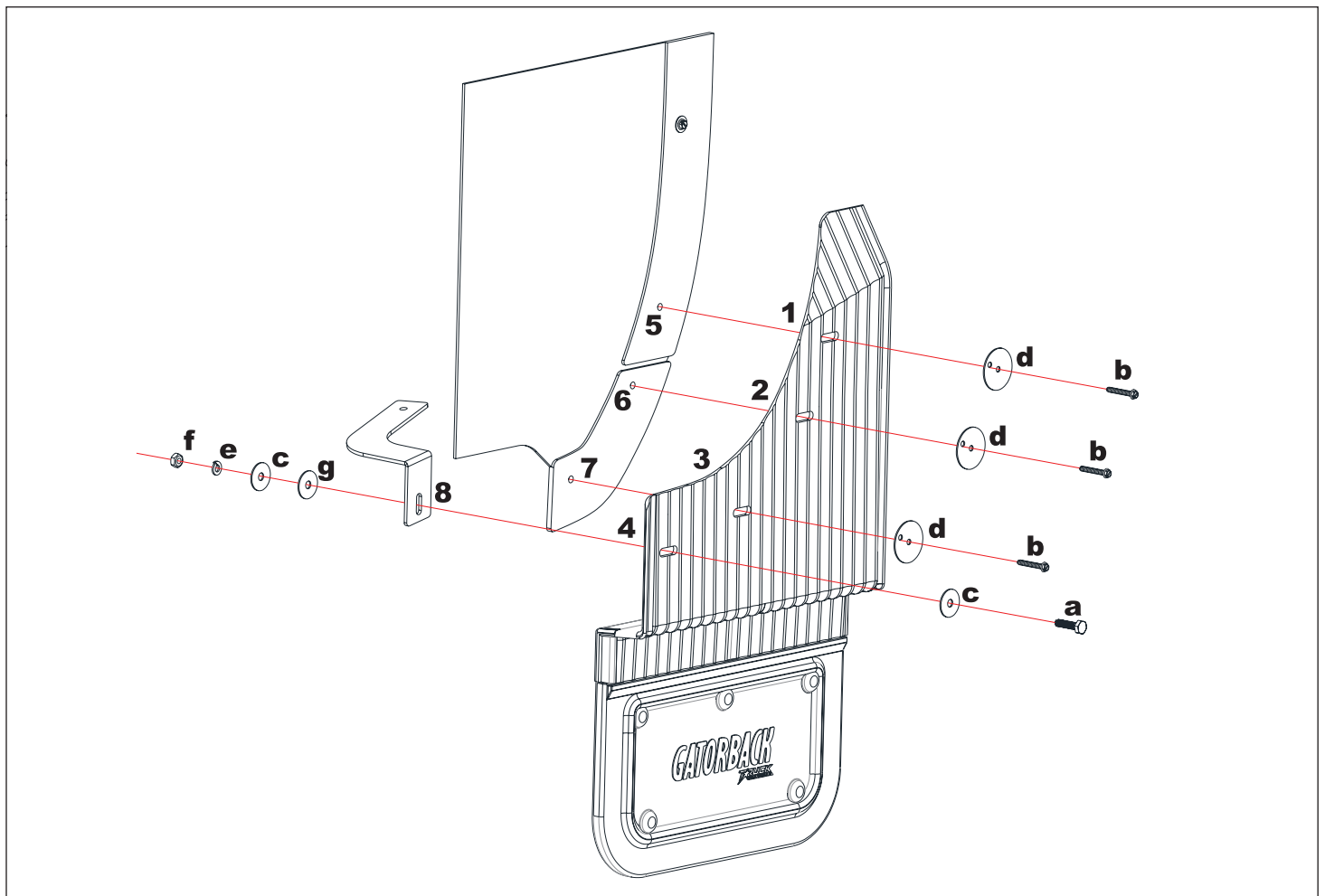
1. Remove and discard the plastic strip inside the track at the bottom of the nylon upper mount. (See Diagram #1)
2. Slide rubber guide into track of nylon upper mount.
3. Install included cap(s) on bottom of nylon upper mount. To fully lock this cap into place, you should hear two clicks, and cap will be even with the offset part of the upper mount. (See Diagram #1)
4. Repeat Procedure for second mud flap.

MUDFLAP INSTALLATION:

1. Before you install your mudflap set, see the diagram and parts list for all necessary parts. Start on the driver's side.

2. Remove the three factory screws from wheel well holes #5 to #7 & discard.

Diagram 2





3. Remove 1 factory screw from underside of body.



4. Sandwich the bracket between the body and the fender support rod.



5. Reinstall the factory screw through bracket into fender support rod.

6. Loosely install mudflap holes #1 to #3 to factory holes #5 to #7 using sheet metal screw (b), and offset washer (d) (see diagram 2)

7. Loosely install mud flap hole #4 to bracket hole #8 using capscrew (a) and flat washer (c), and secure using nylon washer (g), flat washer (c), lock washer (e), and hex nut (f).

8. Using a bubble level or other levelling tool, ensure that the mudflap is level. Tighten all fasteners.

9. Repeat procedure for passenger side.

