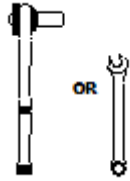


IMPORTANT:

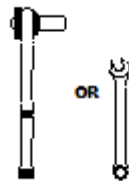
Manufacturer is not responsible for negligent use of vehicle with mud flaps installed, including over-tightening of screws and bolts causing damage to vehicle or mud flaps.



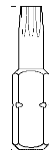
TOOLS REQUIRED-



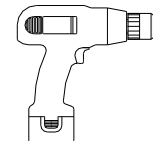
5/16" Open Wrench or
Socket Wrench



3/8" Open Wrench or
Socket Wrench



T15 Torx
Bit



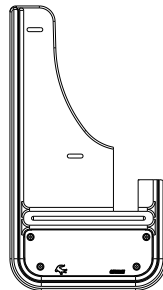
Electric or Rechargeable
Drill



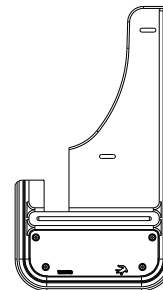
1/4" Drill
Bit

FLAPS

(1) Flap Assembly,
Front, DS
Part #766708

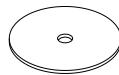


(1) Flap Assembly
Front, PS
Part #766709



PARTS BAG # 766710

a) (4) Washer, Flat
0.203" x 1.5", 18GA, SS
Part #018066



b) (4) Washer, Flat
0.203" ID x 1" OD, 18ga, SS
Part #018031



c) (2) Washer, Lock
18-8SS, Helicoil
Part #024001



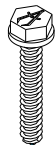
d) (2) Screw, Mach.
18-8SS, 10-24x1, Hex Hd
Part # 012022



e) (2) Nut, Hex
#10-24, SS
Part # 025003



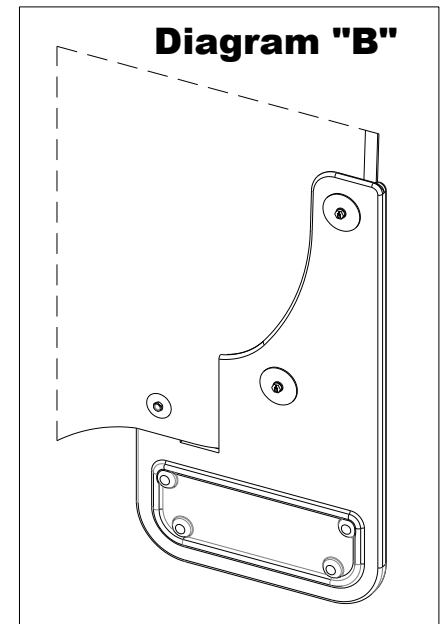
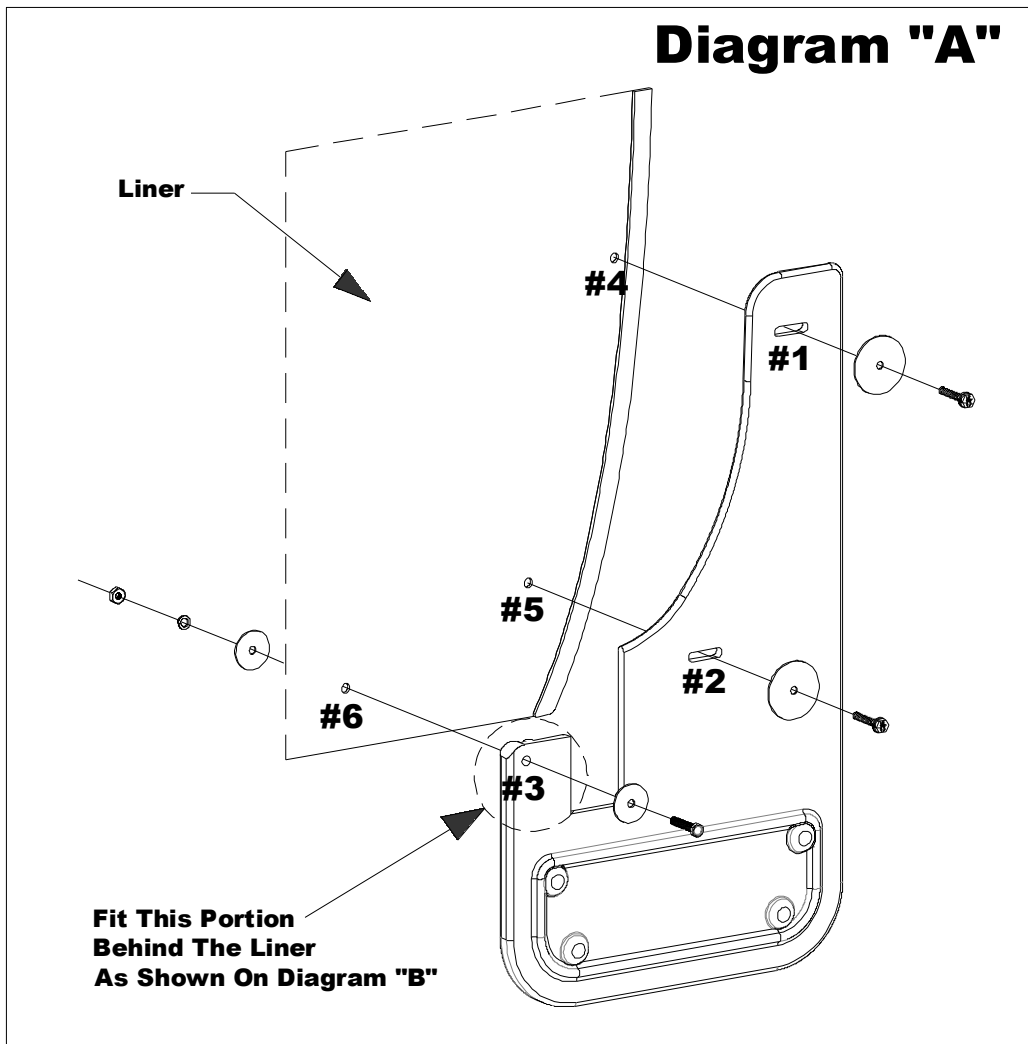
f) (4) Bolt, Hex Flange, SS
M 4.2 x 1", Black
Part #016041



INSTALLATION (For ease of installation it is suggested that the wheel be removed)

1. Before you install your Mud Flap Set, see the diagram and parts list for all necessary parts. Start on the driver's side.
2. Remove the 2 factory screws from the fender.
3. Ensure that the innermost part of the flap is tucked behind the fender liner. Starting on the bottom hole, install the mud flap to fender through holes #1 to #2 into holes #4 to #5 using a sheet metal screw (#016041) and a stainless steel washer (#018066). Loosely secure at this point.

4. Using a bubble level or square, ensure that the mud flap is level. Viewing the vehicle from the back, the outer edge of the mud flap should appear parallel to the tires.
5. Drill a 1/4" hole through mud flap hole #3 into liner (#6).
6. Secure the mud flap to the liner using a machine screw (#012022), two stainless steel washers (#018031), a lock washer (#024001) and a hex nut (#025003).
7. Carefully tighten all fasteners and ensure that the mud flap has remained level.
8. Repeat procedure for the passenger side.



Please check out our YouTube channel to see an install video for this application.



IMPORTANT:

Manufacturer is not responsible for negligent use of vehicle with mud flaps installed, including over-tightening of screws and bolts causing damage to vehicle or mud flaps.

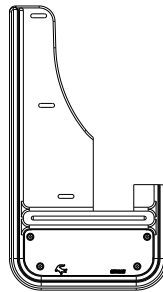


TOOLS REQUIRED-

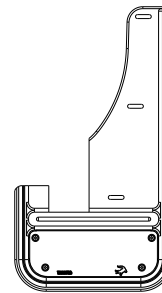


FLAPS

*(1) Flap Assembly, Front, DS
Part #766714*

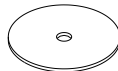


*(1) Flap Assembly Front, PS
Part #766715*



PARTS BAG # 766716

*a) (6) Washer, Flat
0.203" x 1.5", 18GA, SS
Part #018066*



*b) (4) Washer, Flat
0.203" ID x 1" OD, 18ga, SS
Part #018031*



*c) (2) Washer, Lock
18-8SS, Helicoil
Part #024001*



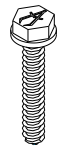
*d) (2) Screw, Mach.
18-8SS, 10-24x1, Hex Hd
Part # 012022*



*e) (2) Nut, Hex
#10-24, SS
Part # 025003*



*f) (6) Bolt, Hex Flange, SS
M 4.2 x 1", Black
Part #016041*



INSTALLATION *(For ease of installation it is suggested that the wheel be removed)*

2. Before you install your Mud Flap Set, see the diagram and parts list for all necessary parts. Start on the driver's side.
2. Remove and discard the 3 factory screws from the fender.
3. Ensure that the innermost part of the flap is tucked behind the fender liner. Starting on the bottom hole, install the mud flap to fender through holes #1 to #3 into holes #5 to #7 using a sheet metal screw (#016041) and a stainless steel washer (#018066). Loosely secure at this point.



4. Using a bubble level or square, ensure that the mud flap is level. Viewing the vehicle from the back, the outer edge of the mud flap should appear parallel to the tires.
5. Cut liner to allow flap to sit flush against the back of the liner. (See Diagram "C")
6. Drill a 1/4" hole through mud flap hole #4 into liner (#8).
7. Secure the mud flap to the liner using a machine screw (#012022), two stainless steel washers (#018031), a lock washer (#024001) and a hex nut (#025003).
8. Carefully tighten all fasteners and ensure that the mud flap has remained level.
9. Repeat procedure for the passenger side.

Diagram "A"

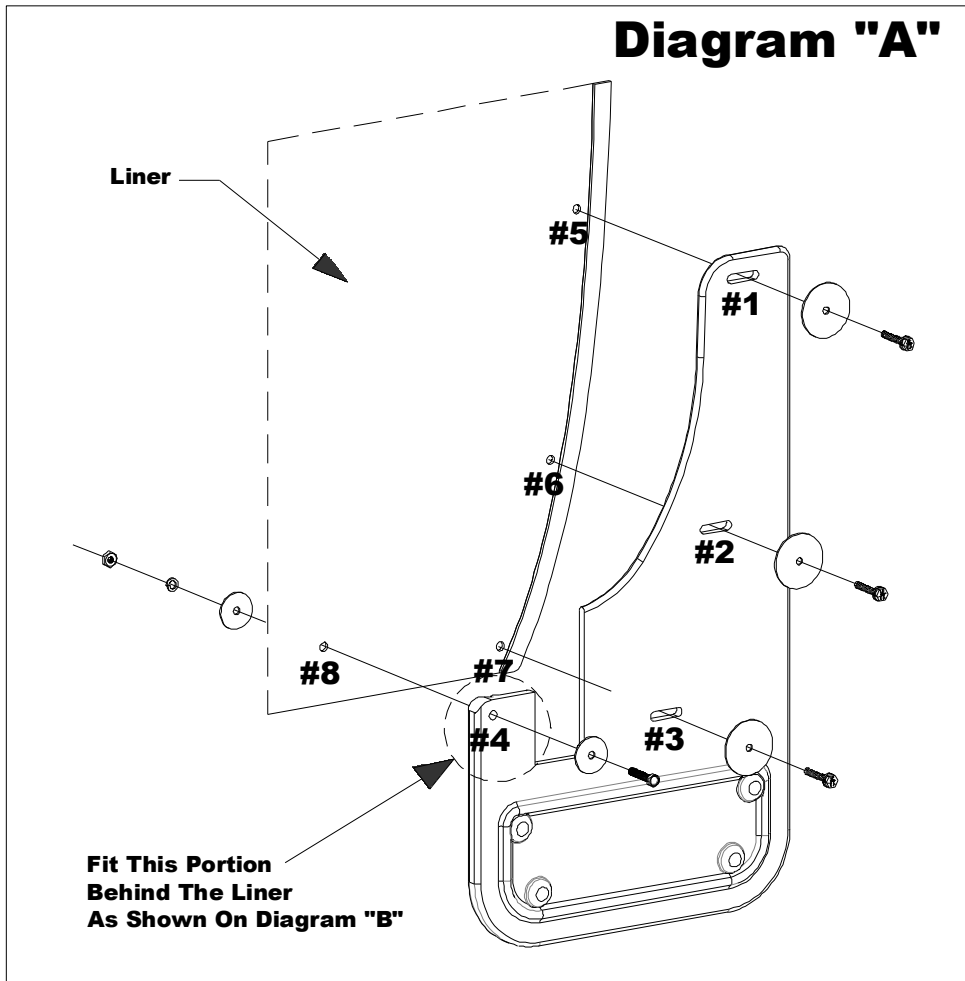


Diagram "B"

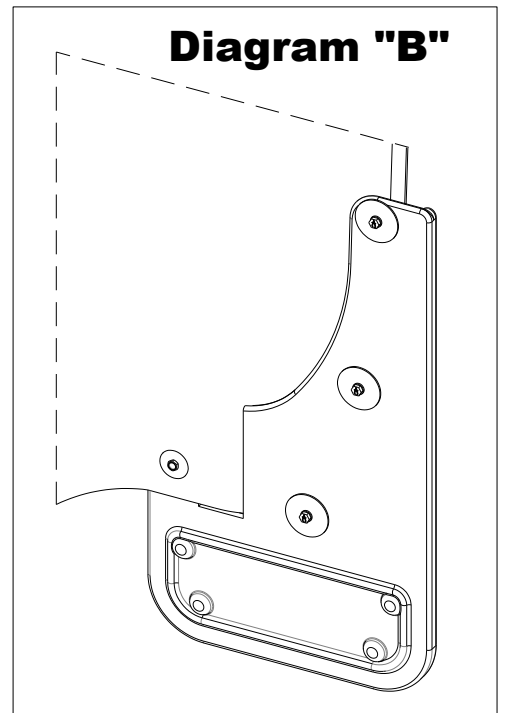
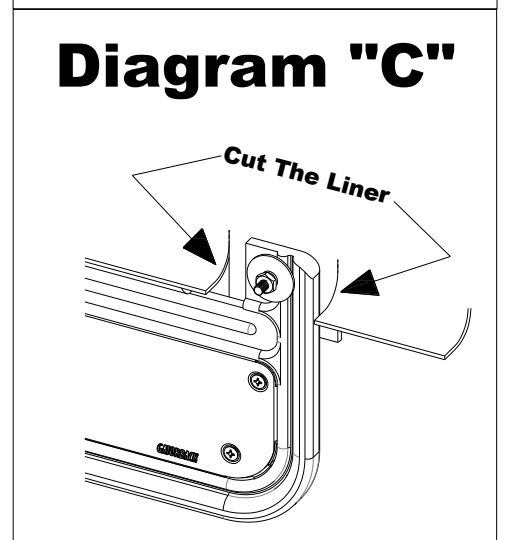


Diagram "C"



Please check out our YouTube channel to see an install video for this application.

